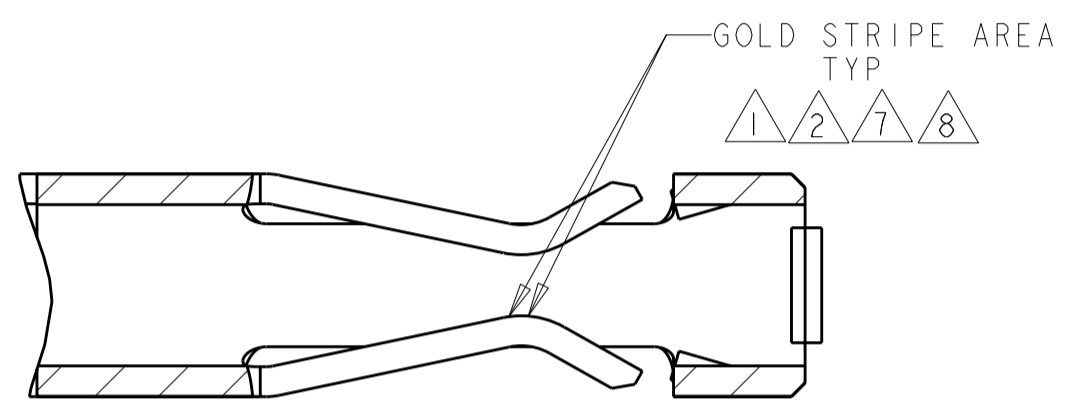
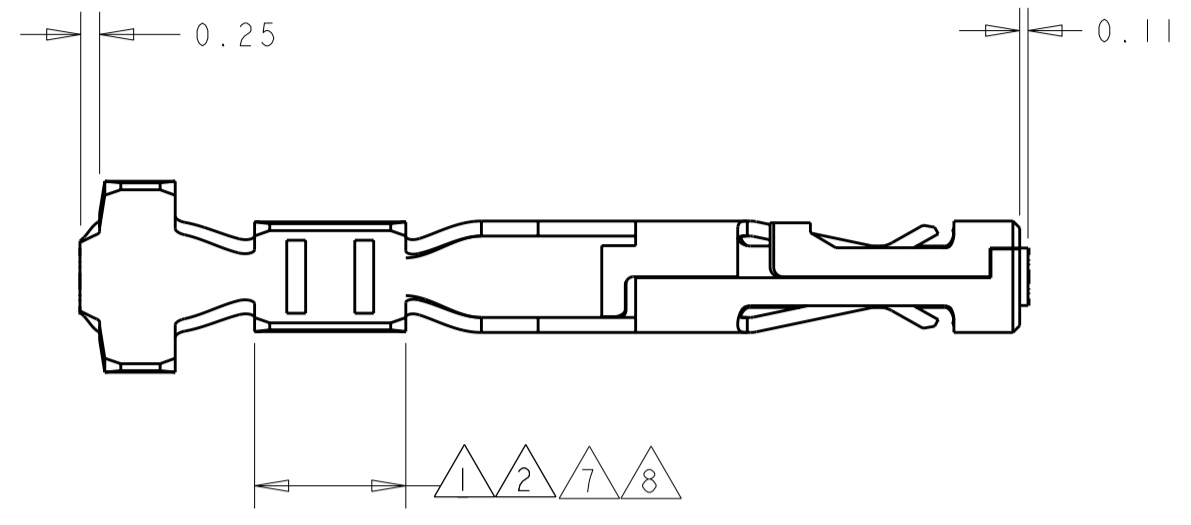
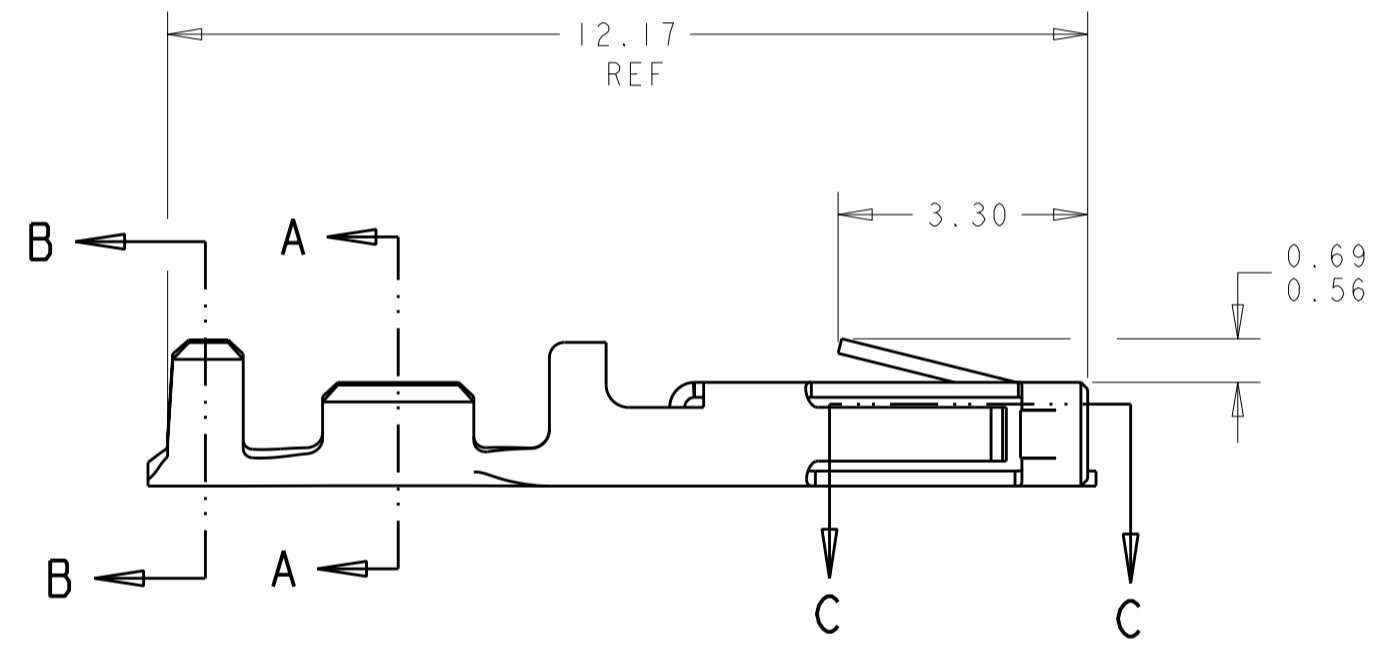


THIS DRAWING IS UNPUBLISHED. RELEASED FOR PUBLICATION
 © COPYRIGHT 20 BY - ALL RIGHTS RESERVED.

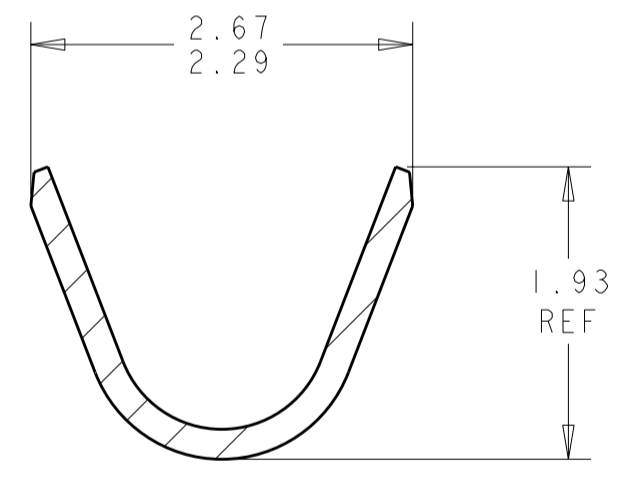
LOC	DIST	REVISIONS					
CM	53	P	LTR	DESCRIPTION	DATE	DWN	APVD
			DI	REVISED PER ECO-11-005027	16MAR2011	RK	HMR



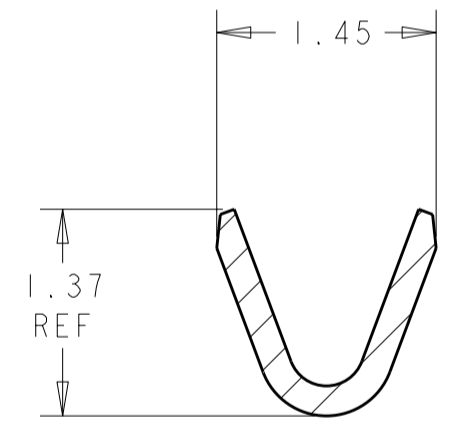
- 1 0.000762 THK GOLD STRIPE IN THE GOLD PLATE AREA, BRIGHT TIN IN THE CRIMP AREA, OVER NICKEL PLATE.
- 2 0.000381 THK GOLD STRIPE IN THE GOLD PLATE AREA, BRIGHT TIN IN THE CRIMP AREA, OVER NICKEL PLATE.
- 3 0.0015 - 0.0040 THK BRIGHT TIN.
- 4. WIRE RANGE: 26 - 30 AWG.
- 5. INSULATION RANGE 0.89 - 1.524.
- 7 0.000762 THK GOLD STRIPE IN THE GOLD PLATE AREA, BRIGHT TIN-LEAD IN THE CRIMP AREA, OVER NICKEL PLATE.
- 8 0.000381 THK GOLD STRIPE IN THE GOLD PLATE AREA, BRIGHT TIN-LEAD IN THE CRIMP AREA, OVER NICKEL PLATE.



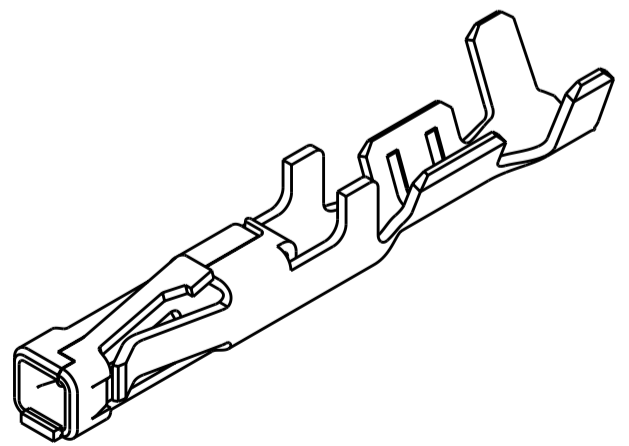
SECTION C-C
SCALE 20:1



SECTION B-B
SCALE 20:1



SECTION A-A
SCALE 20:1



3 DIMENSIONAL MODEL
SCALE 8:1

1	1-794611-2
2	1-794611-1
7	794611-3
8	794611-2
3	794611-1
FINISH	PART NUMBER



THIS DRAWING IS A CONTROLLED DOCUMENT.		DWN K. WHITAKER 19-OCT-1999	TE Connectivity	
DIMENSIONS: mm		CHK K. COBLE 19-OCT-1999		
TOLERANCES UNLESS OTHERWISE SPECIFIED:		APVD K. COBLE 19-OCT-1999	NAME CONTACT, RECEPTACLE, CRIMP SNAP-IN, MICRO MATE-N-LOK(TM)	
0 PLC ± 1 PLC ± 2 PLC ±0.13 3 PLC ± 4 PLC ±		PRODUCT SPEC -	SIZE A200779	
MATERIAL 0.2 PH BRZ		APPLICATION SPEC -	CAGE CODE C-794611	DRAWING NO 794611
ANGLES ±0.30° FINISH		WEIGHT -	RESTRICTED TO -	
SEE TABLE		CUSTOMER DRAWING	SCALE 10:1	SHEET 1 OF 1 REV DI